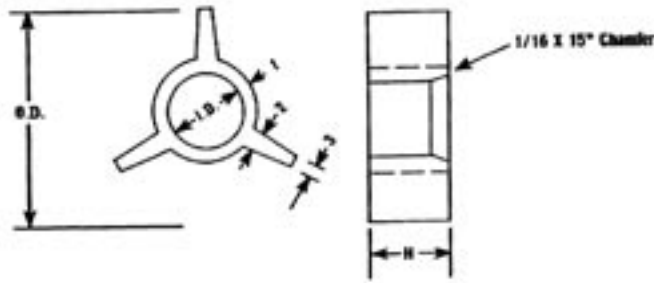


Standard Centering Spider

PN	TUBE	X	COLUMN
105050	1-1/4	X	3
105075	1-1/4	X	5
105113	1-1/4	X	8
105065	1-1/2	X	4
105065	1-1/2	X	4
105080	1-1/2	X	5
105095	1-1/2	X	6
105115	1-1/2	X	8
105153	1-1/2	X	12
105070	2	X	4
105085	2	X	5
105100	2	X	6
105120	2	X	8
105135	2	X	10
105155	2	X	12
105090	2-1/2	X	5
105105	2-1/2	X	6
105125	2-1/2	X	8
105140	2-1/2	X	10
105160	2-1/2	X	12
105110	3	X	6
105130	3	X	8
105145	3	X	10
105165	3	X	12
105181	3	X	8
105184	3	X	8
105132	3-1/2	X	8
105150	3-1/2	X	10
105175	3-1/2	X	12
10518150	3-1/2	X	14
10518450	3-1/2	X	16
105133	4-1/2	X	8
105152	4	X	10
105176	4	X	12
105182	4	X	14
105185	4	X	16
105177	5	X	12
105183	5	X	14
105186	5	X	16
105188	5	X	18
105192	5	X	20



Standard Spider Dimensions

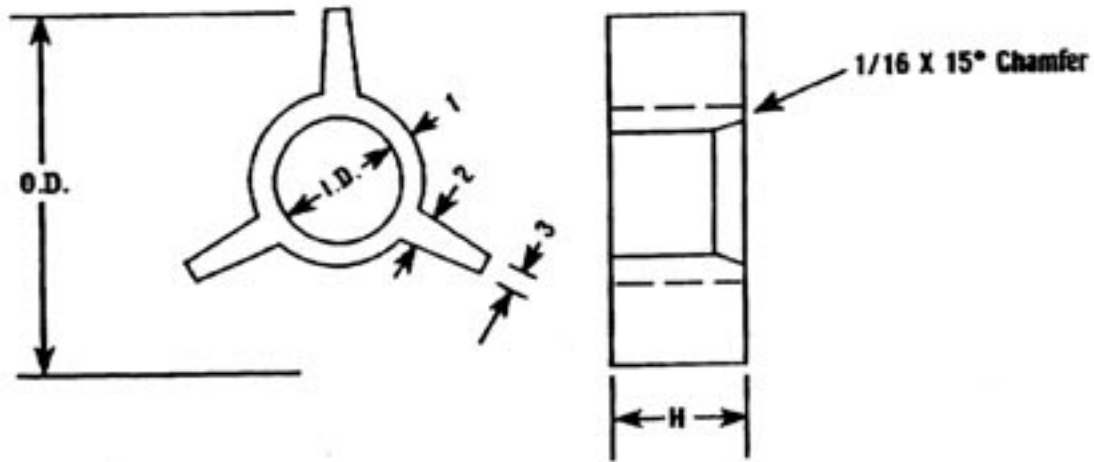
TUBE SIZE	COLUMN SIZE	WALL THK. PIPE	SPIDER I.D.	SPIDER O.D.	1	2	3	H
1-1/4	5	.258	1.610	5.062	.382	5/8	9/16	2-15/16
1-1/2	4	.237	1.844	4.062	.266	5/8	9/16	2-3/8
1-1/2	5	.258	1.844	5.062	.266	5/8	9/16	2-15/16
1-1/2	6	.280	1.863	6.148	.530	5/8	7/16	2-1/2
1-1/2	8	.280	1.845	8.111	.550	5/8	7/16	2-7/8
2	4	.237	2.330	4.062	.231	7/16	3/8	2-15/16
2	5	.258	2.330	5.060	.279	5/8	9/16	2-15/16
2	6	.280	2.333	6.148	.334	5/8	7/16	2-15/16
2	8	.280	2.333	8.093	.598	11/16	7/16	2-15/16
2	10	.279	2.333	10.200	.595	7/8	7/16	2-15/16
2	12	.312	2.333	12.127	.307	7/8	7/16	2-15/16
2-1/2	5	.258	2.830	5.062	.375	7/16	3/8	2-15/16
2-1/2	6	.280	2.830	6.093	.437	9/16	3/8	2-15/16
2-1/2	8	.280	2.830	8.160	.354	11/16	7/16	2-15/16
2-1/2	10	.279	2.830	10.200	.354	7/8	7/16	2-15/16
2-1/2	12	.330	2.830	12.125	.562	7/8	7/16	2-15/16
3	6	.279	3.458	6.094	.596	1/2	7/16	2-15/16
3	8	.279	3.458	8.110	.410	13/16	7/16	2-15/16
3	10	.279	3.458	10.200	.410	13/16	7/16	2-15/16
3	12	.279	3.458	12.316	.410	13/16	7/16	2-15/16
3	12	.330	3.458	12.125	.562	11/16	7/16	2-15/16
3-1/2	8	.279	3.937	8.110	.562	5/8	7/16	2-15/16
3-1/2	10	.279	3.958	10.234	.625	3/4	7/16	2-15/16
3-1/2	12	.330	3.937	12.125	.500	11/16	7/16	3
4	8	.279	4.438	8.110	.563	11/16	1/2	3
4	10	.279	4.438	10.219	.563	11/16	1/2	3
4	12	.330	4.438	12.125	.563	11/16	1/2	3
4	14	.375	4.438	13.313	.563	11/16	1/2	3
4	16	.375	4.438	15.313	.563	11/16	1/2	3
5	12	.330	5.500	12.125	.625	3/4	5/8	3
5	14	.375	5.500	13.313	.625	3/4	5/8	3
5	16	.375	5.500	15.313	.625	3/4	5/8	3

Est. 1958



Centering Spider-Heavy Wall Price List

PN	TUBE	X	COLUMN
105200	1-1/2	X	4H
105210	1-1/2	X	5H
105225	1-1/2	X	6H
105205	2	X	4H
105215	2	X	5H
105230	2	X	6H
105240	2	X	8H
105255	2	X	10H
105220	2-1/2	X	5H
105235	2-1/2	X	6H
105245	2-1/2	X	8H
105260	2-1/2	X	10H
105250	3	X	8H
105265	3	X	10H
105270	3-1/2	X	10H



Heavy Wall Spider Dimensions

TUBE SIZE	COLUMN SIZE	WALL THK. PIPE	SPIDER I.D.	SPIDER O.D.	1	2	3	H
1-1/2	4H	.237	1.843	4.062	.513	5/8	9/16	2-3/8
1-1/2	5H	.258	1.843	5.062	.562	11/16	9/16	2-3/8
1-1/2	6H	.280	1.843	6.094	.562	11/16	9/16	2-15/16
2	4H	.237	2.313	4.062	.380	7/16	3/8	2-15/16
2	5H	.258	2.313	5.062	.562	11/16	9/16	2-15/16
2	6H	.280	2.313	6.094	.562	11/16	9/16	2-15/16
2	8H	.277	2.313	8.094	.937	11/16	9/16	2-15/16
2	10H	.279	2.313	10.234	.775	11/16	9/16	2-15/16
2-1/2	5H	.258	2.812	5.062	.562	5/8	1/2	2-15/16
2-1/2	6H	.280	2.812	6.094	.650	13/16	5/8	2-15/16
2-1/2	8H	.277	2.812	8.094	.687	13/16	5/8	2-15/16
2-1/2	10H	.279	2.812	10.234	.965	3/4	5/8	2-15/16
3	8H	.277	3.438	8.094	.685	3/4	5/8	2-15/16
3	10H	.279	3.438	10.234	.625	3/4	5/8	2-15/16
3-1/2	10H	.279	3.958	10.234	.625	3/4	5/8	2-15/16

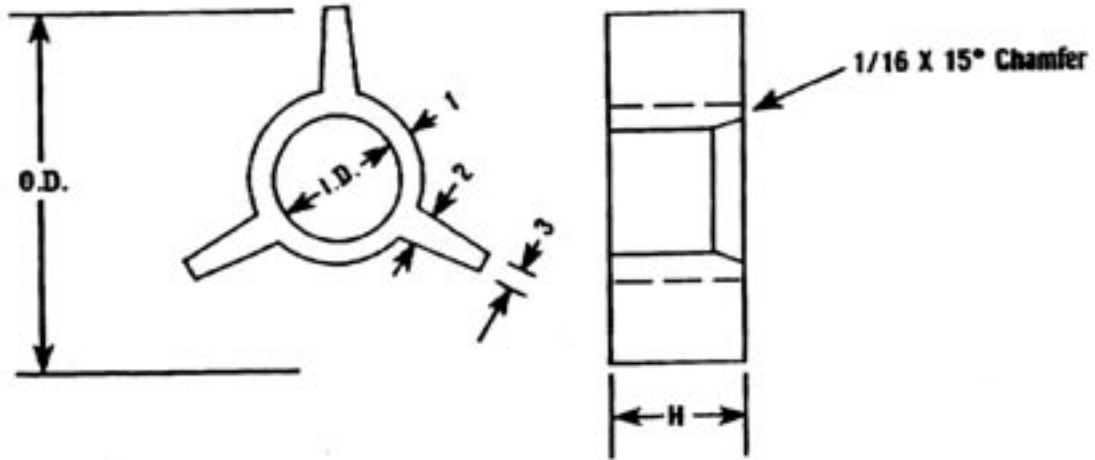
Est. 1958



Centering Spider Submersible Pumps Price List

PN	TUBE	X	COLUMN
105025	1	X	6S
105035	1-1/2	X	6S
105030	1-1/4	X	6S
105040	2	X	6S

Est. 1958



Spider Dimensions For Submersible Pumps

TUBE SIZE	COLUMN SIZE	WALL THK.	SPIDER I.D.	SPIDER O.D.
1	6S	.280	1.330	6.000
1-1/4	6S	.280	1.695	6.000
1-1/2	6S	.280	1.941	6.000
2	6S	.280	2.375	6.000